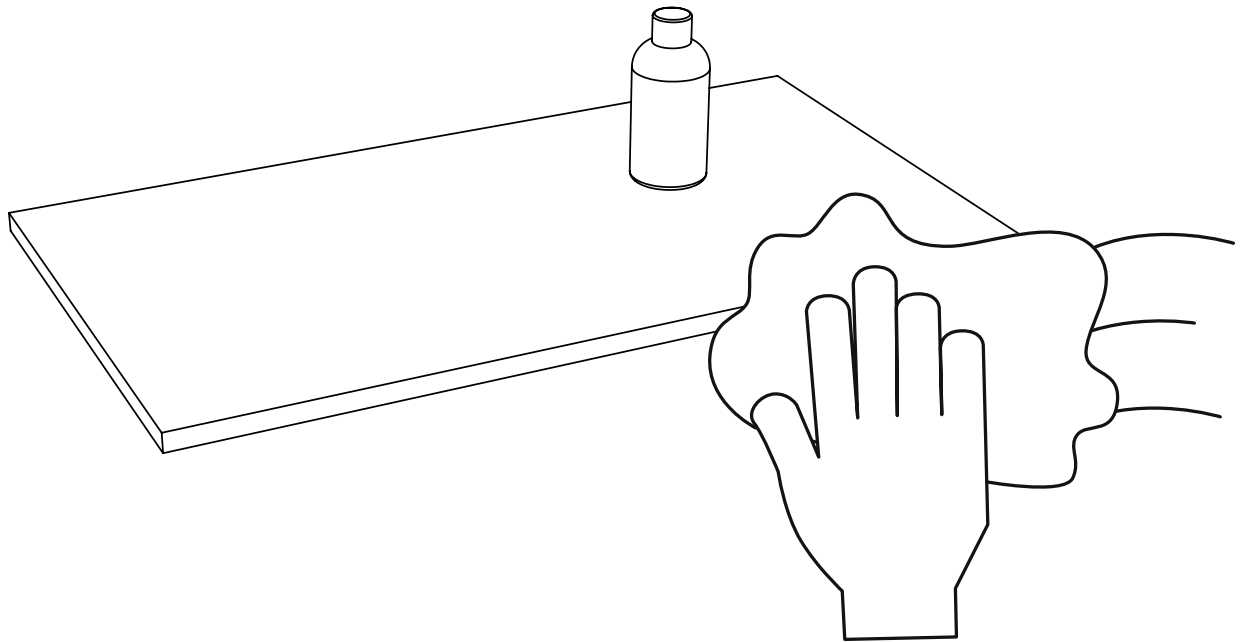


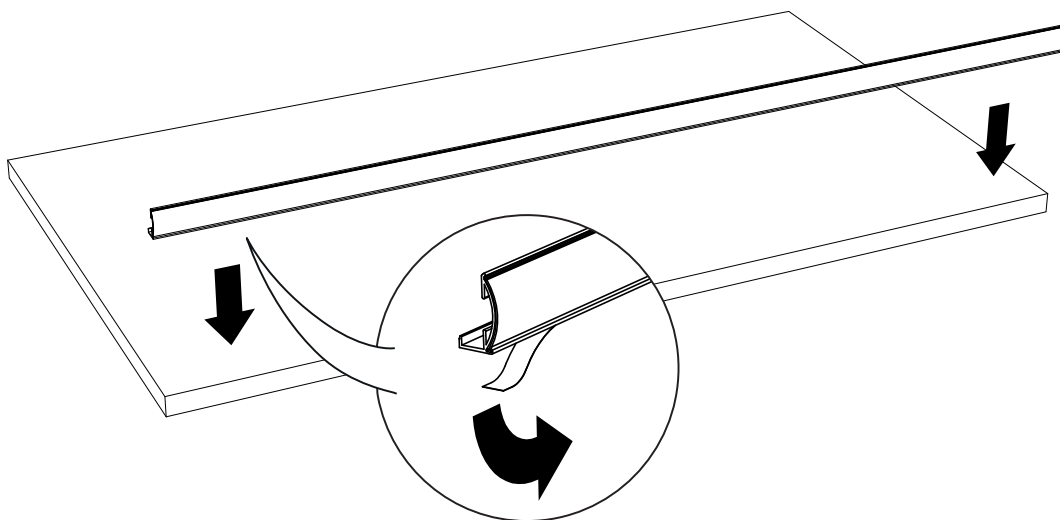
Facer™

Mounting instruction

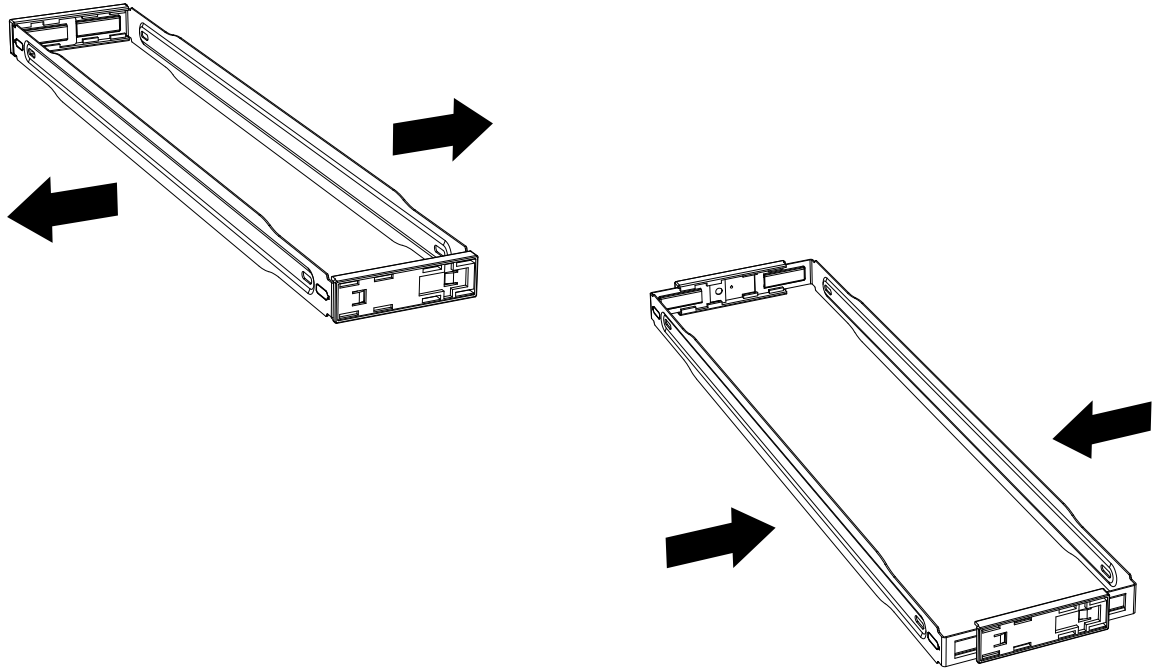
1 Clean the shelf



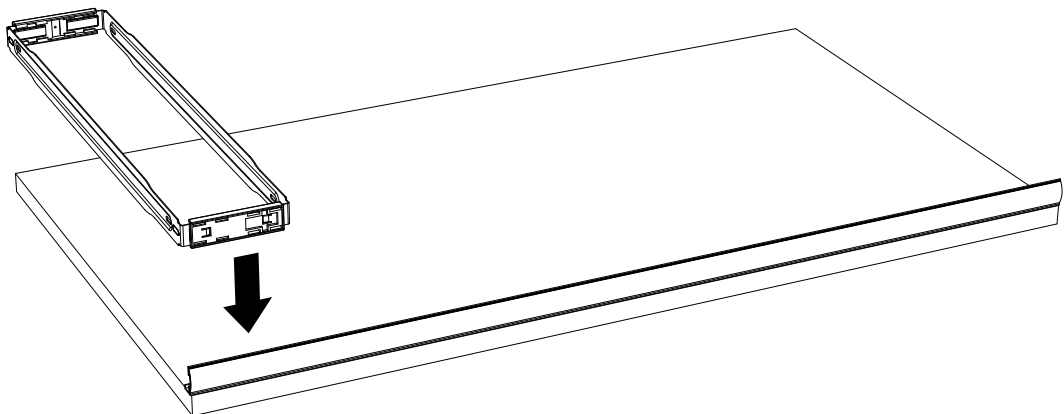
2 Remove the protection film from the rail, place the rail at the front of the shelf and press firmly



3 Adjust the width to fit your products



4 Place the frame behind the front riser



5 Repeat the mounting procedure until completion

