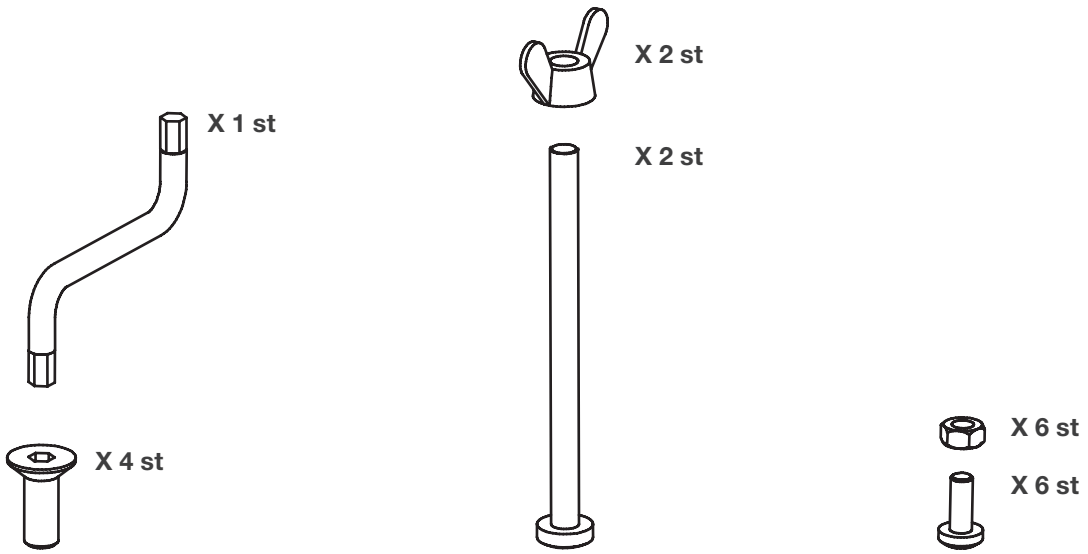


GoMix2™

Mounting instruction

Inventory

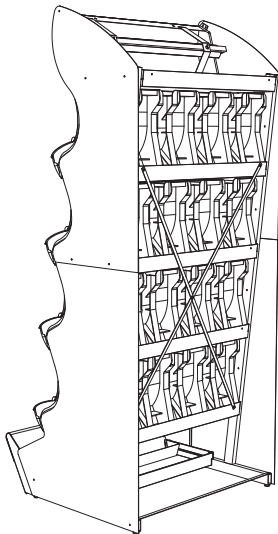


For connecting modules
 Tool
 Screw M5

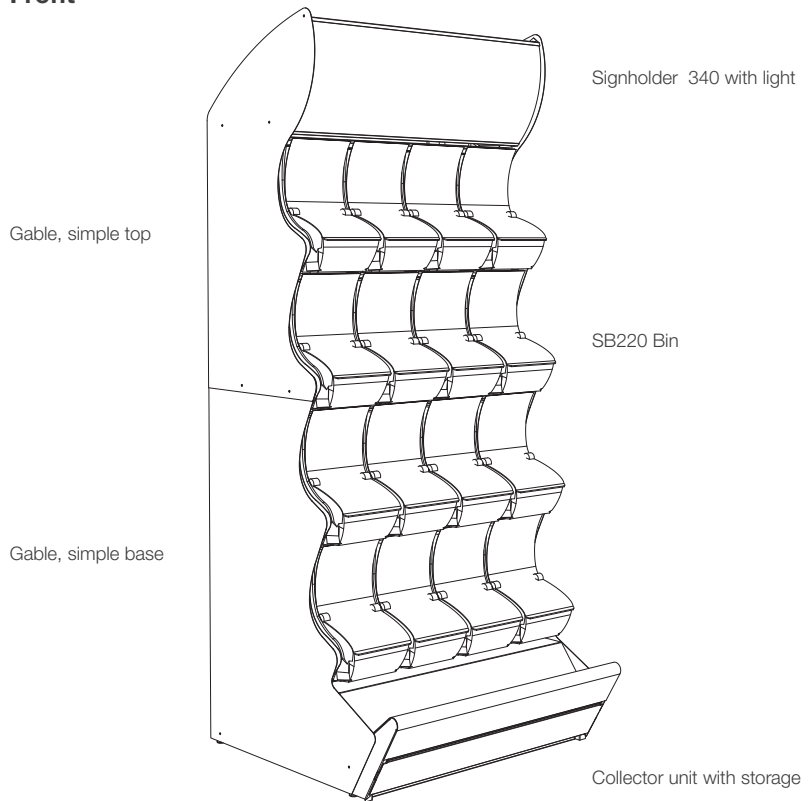
For connecting modules
 Screw M5x70
 Wing nut M5

For mounting gables
 Screw M4x10
 Nut M4

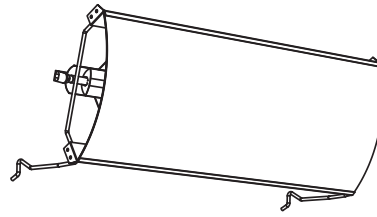
Back



Front



Inventory



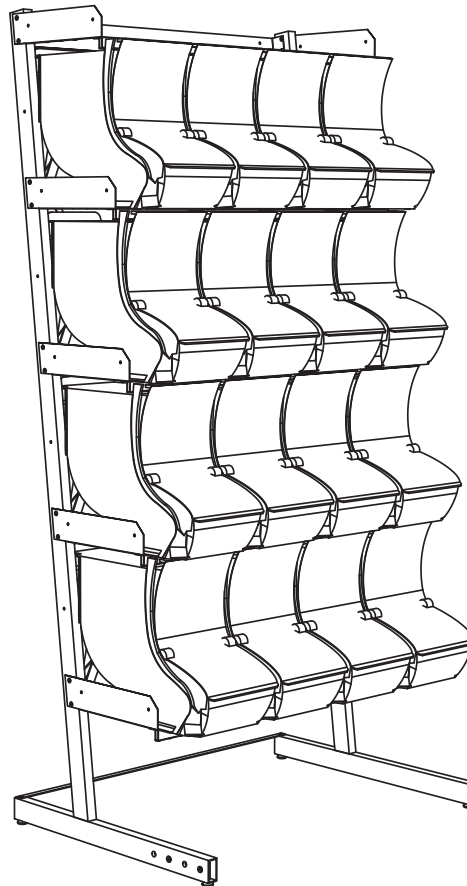
Signholder 170



Gable top



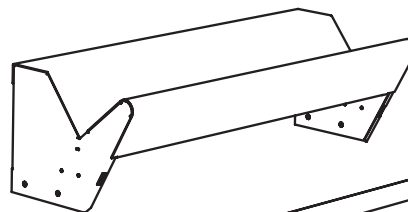
Gable base



SB220 Bin

Frame

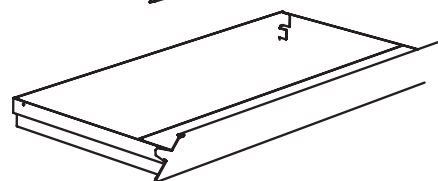
Catch tray



Front box

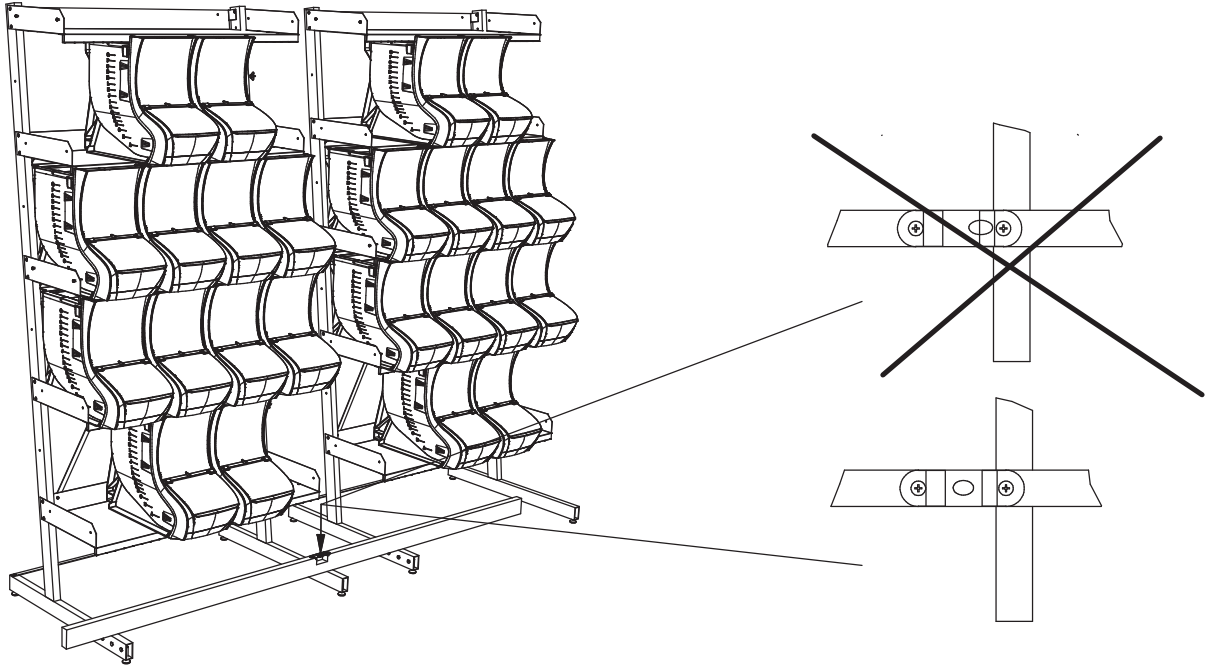


Front box with storage



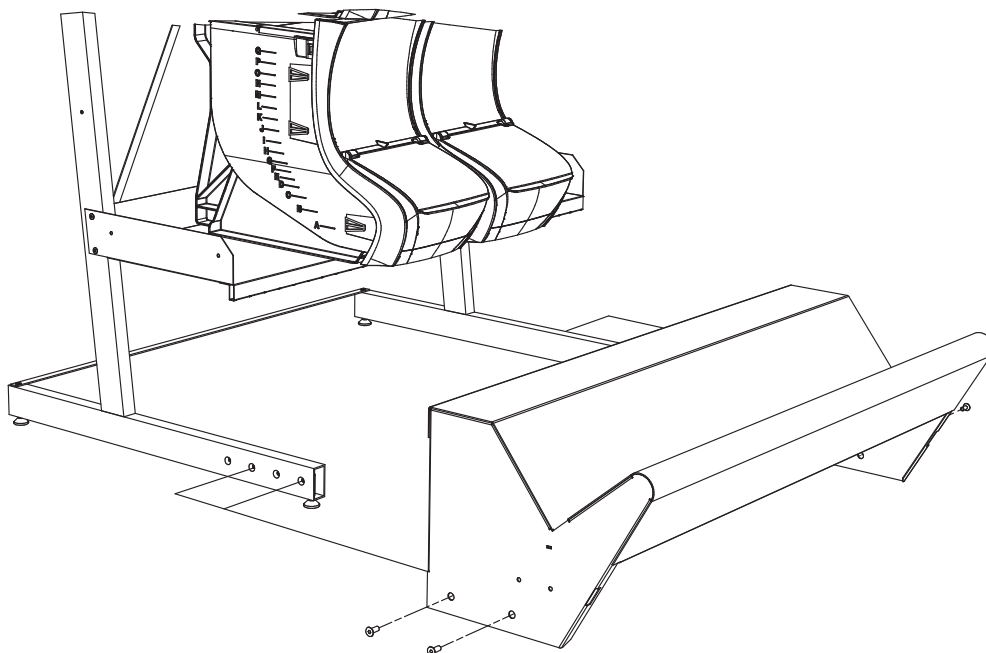
1

Place the frames in the designated area. Determine how even the floor is, attach the foot screws entirely in the frame that is placed at the highest point of the floor. Balance the frames at the front and back. Dismount the bins according to the sketch to facilitate the frame connection.

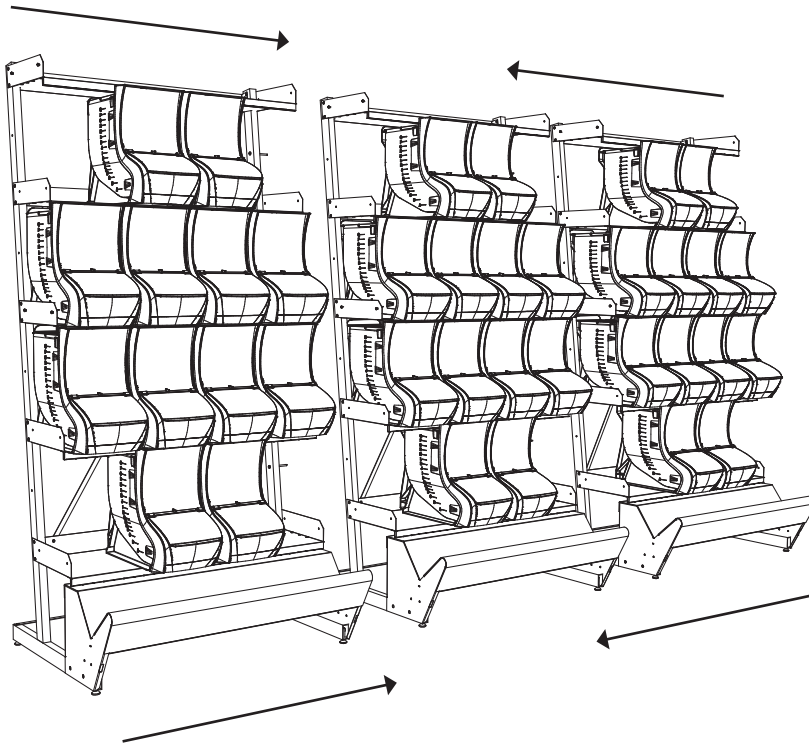


2

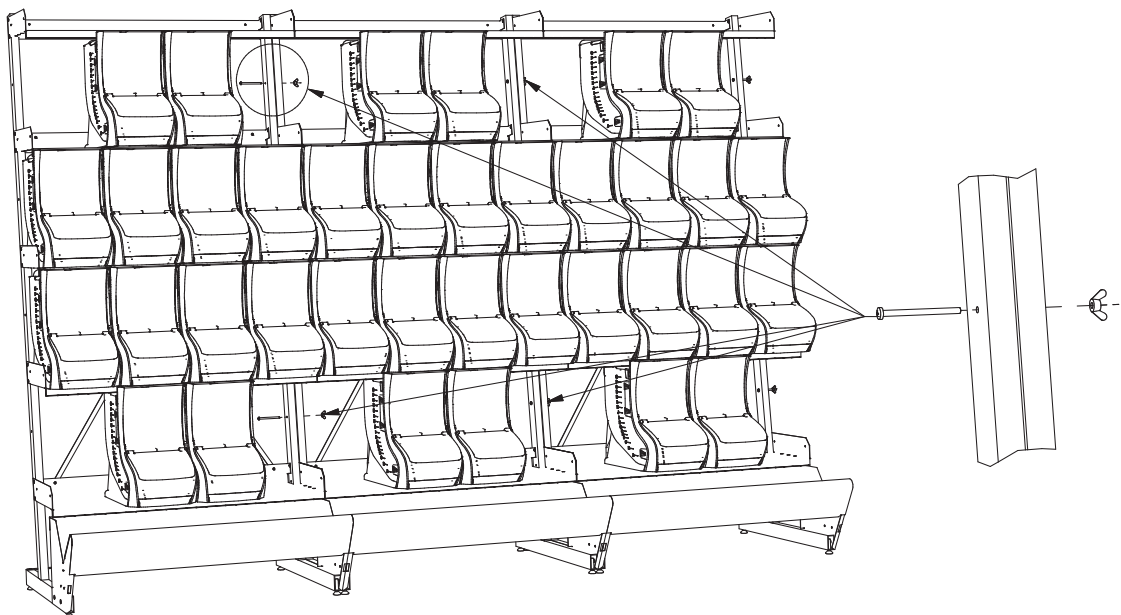
Pull up or split the frames to mount the catch tray. Decide the depth of the catch tray placement and attach with the countersunk allen screws.



3 Put the frames together

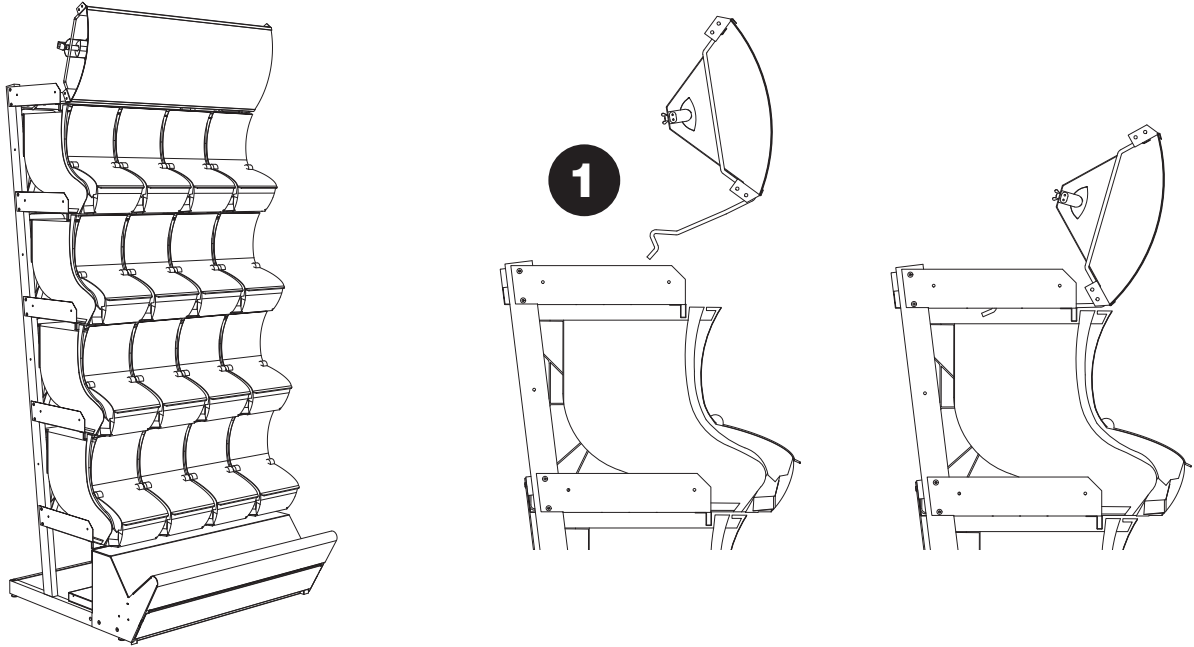


4 Connect the frames at the top and bottom with the M5x70 screw and wing nut.



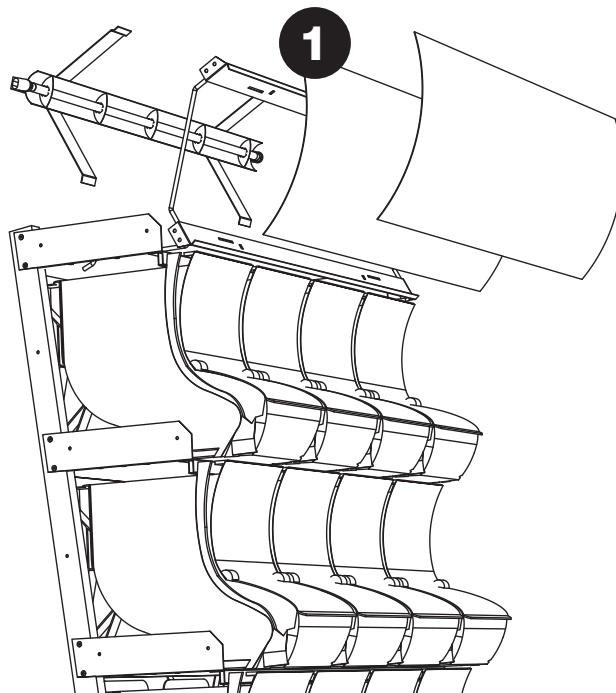
5

1. Put the "hook" in the last hole from the front. Connect to AC power in the same way as for the large lightbox, MAX 8st light boxes may be connected to the same starting cord.



6

1. Printed matter to be inserted between the two plastics. Connect the light box with a starter cord, divert power to the next light box with "passthru connections" between the light boxes. NOTE MAX 8st light boxes may be connected to a starter cord.



7

1. Top outside of base part.

